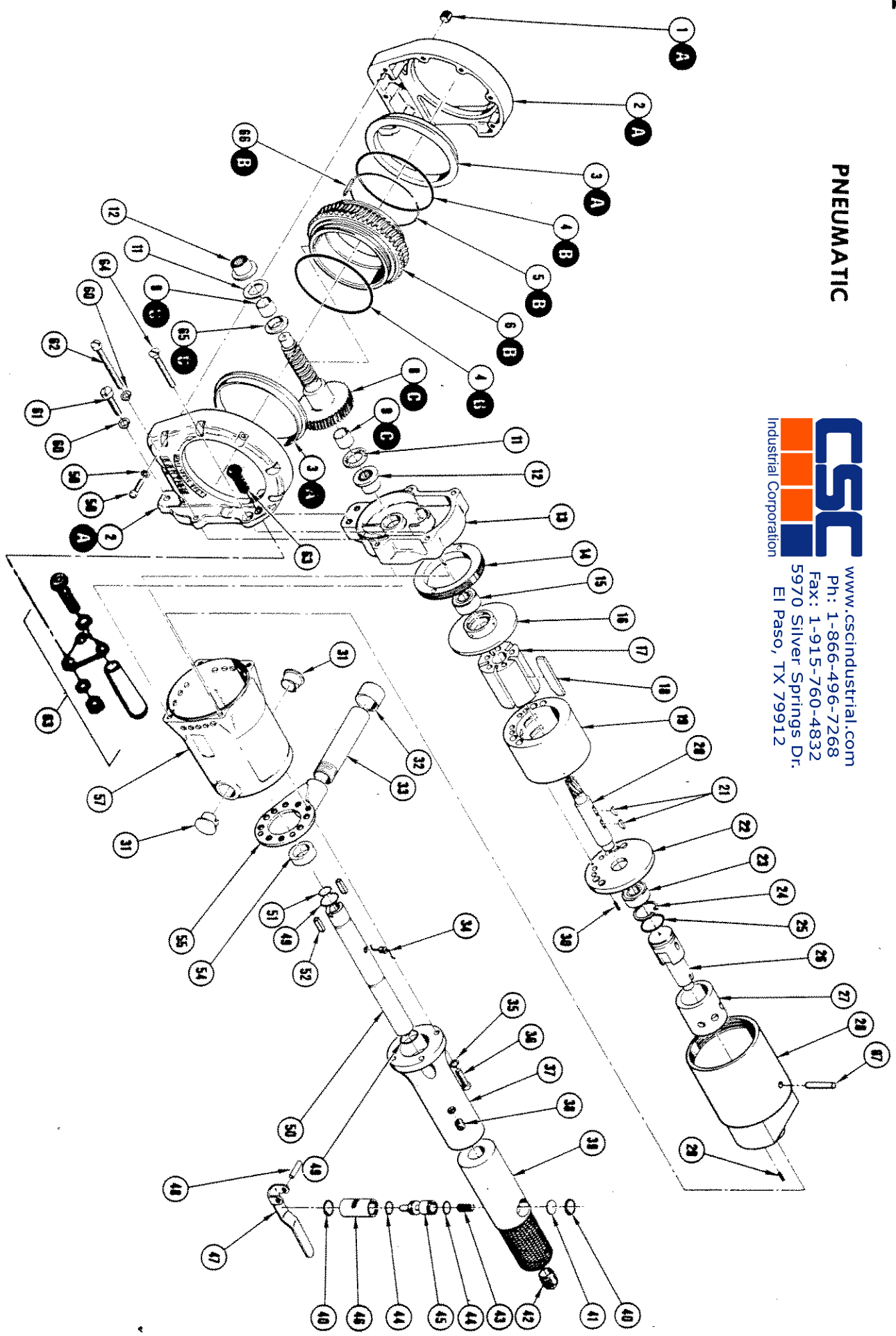


# PNEUMATIC



[www.csciindustrial.com](http://www.csciindustrial.com)  
 Ph: 1-866-496-7268  
 Fax: 1-915-760-4832  
 5970 Silver Springs Dr.  
 El Paso, TX 79912





www.cscindustrial.com  
 Ph: 1-866-496-7268  
 Fax: 1-915-760-4832  
 5970 Silver Springs Dr.  
 El Paso, TX 79912

**PNEUMATIC**

**PARTS**

- |     |          |  |     |        |  |
|-----|----------|--|-----|--------|--|
| 1.  | 13140    | Plug, Pipe, Slotted, 1/8"-27 NPT       | 36. | K-1109 | Screw, Machine, 1/4-20 x 1" Lg. (4)              |
| 2.  | 13137-1  | Housing, Drive Gear                    | 37. | 12357  | Handle Half, Front                               |
| 3.  | 13138    | Bushing, Shoulder, Drive Gear Hsg. (2) | 38. | 13423  | Plug, Pipe, 1/8-27 NPT                           |
| 4.  | 13114    | Packing, Preformed ("O" Ring) (2)      | 39. | 12356  | Handle Half, Rear                                |
| 5.  | 13121    | Spring, Die Hd. Retainer               | 40. | 13345  | Ring, Retaining, Internal                        |
| 6.  | 13161-1  | Gear, Worm Wheel                       | 41. | 13399  | Disc, Valve                                      |
| 7.  | —        | Worm Shaft                             | 42. | 13451  | Plug, Pipe, Plastic, 1/2-14 NPT                  |
| 8.  | 13162    | Race, Bearing Inner (2)                | 43. | 13452  | Spring, Compression, Valve                       |
| 9.  | 13118    | Washer, Thrust, Bearing (2)            | 44. | 13346  | Packing, Preformed ("O" Ring)                    |
| 10. | —        | Bearing, Needle (2)                    | 45. | 12364  | Valve  |
| 11. | 13117    | Support, Motor                         | 46. | 12365  | Bushing, Valve                                   |
| 12. | 13101    | Ring, Locking, Threaded                | 47. | 12368  | Lever, Valve Operating                           |
| 13. | 12361    | Bearing, Ball                          | 48. | U-715  | Pin, Spring, Trigger Lever, 3/16" x 1" Lg.       |
| 14. | 12358    | Plate, Bearing Support, Front          | 49. | 12619  | Packing, Preformed ("O" Ring) (2)                |
| 15. | 12360    | Rotor, Air Motor                       | 50. | 14306  | Shaft, Valve Control                             |
| 16. | 12355    | Vane, Air Motor (5)                    | 51. | 13342  | Packing, Preformed ("O" Ring)                    |
| 17. | 12367    | Gearshaft, Air Motor                   | 52. | 12290  | Key, Square, 1/8 x 1/2" LG. (2)                  |
| 18. | 12359    | Key, Woodruff, 1/8" x 3/8" (2)         | 53. | —      | Coupling, Shaft                                  |
| 19. | 1338     | Plate, Bearing Support, Rear           | 54. | 14302  | Bracket, Torque Rod                              |
| 20. | 12359    | Bearing, Ball                          | 55. | 13105  | Housing, Motor, Outer                            |
| 21. | 13141    | Ring, Retaining, Internal              | 56. | —      | Screw, Mach., Fil. Hd., No. 10-24 x 7/8" Lg. (7) |
| 22. | 13343    | Packing, Preformed ("O" Ring)          | 57. | 14303  | Lockwasher, Tooth, No. 10 (7)                    |
| 23. | 13072    | Valve, Air Motor                       | 58. | K-910  | Lockwasher, 1/4"                                 |
| 24. | 12369    | Bearing, Sleeve, Air Valve             | 59. | CB-107 | Screw, Mach., Fil. Hd., 1/4-20 x 7/8" Lg. (2)    |
| 25. | 14304    | Housing, Motor, Inner                  | 60. | C-109  | Handle Assy., Carrying                           |
| 26. | U-406    | Pin, Spring, 3/16" x 7/16" Lg.         | 61. | K-1108 | Screw, Mach., Flat Hd., 1/4-20 x 2" Lg. (2)      |
| 27. | U-707    | Pin, Spring, 3/16" x 1/2" Lg.          | 62. | K-1115 | Support, Bearing, Worm Shaft                     |
| 28. | 13338    | Plug, Hole, 1/2"                       | 63. | J-1114 | Key, Square, 1/4"                                |
| 29. | 13155    | Cap, Torque Rod                        | 64. | 13115  | Pin, Dowel, 1/8 x 7/8 LG.                        |
| 30. | 13107    | Rod, Torque                            | 65. | 12618  |  |
| 31. | 13347    | Screw, Wick                            | 66. | 0-105  |  |
| 32. | C-109-HC | Washer, Lock, 1/4"                     | 67. | —      |  |

**SUBASSEMBLIES**

- |   |       |                           |
|---|-------|---------------------------|
| A | 13137 | Housing Assembly          |
| B | 13161 | Gear Assembly, Worm Wheel |
| C | 14688 | Worm Shaft Assembly       |
| D | 12352 | Motor & Handle Assembly   |
- ( Includes Items # 14 Thru 67 )